

2033.0000 / .1000



2033.0200 / .1200 / .0300 / .1300

DESCRIPTION

The temperature sensor type 2033 is equipped with a platinum resistance Pt 100, DIN 60751 B, 1/3 tolerance, with 4 line connection, incl. 5 m connection cable.

The sensor is placed in plastic shaft and screwed into the base plate by means of a cable duct.

The base plate provides 2 holes, 30 mm distance, for M8-screws for fastening.

The according shelter is designed to avoid influence from radiation, precipitation etc. It consists of single segments plus a top cover, made of a special white plastic material.

Following versions are further available:

- Version with electrical ventilation, to obtain exact measuring values even with total calm.
- Version with measuring converter which is placed in a housing underneath the sensor. Outputs are 4...20 mA or 0...10 V.

Technical data are subject to change!



TECHNICAL DATA

| | |
|-------------|--|
| Dimensions: | approx. \varnothing 120 mm, height approx. 240 mm |
| Weight: | max. 1.4 kg |
| Sensor: | Platinum resistance Pt 100, acc. to DIN 60751B, 1/3 tolerance |
| Cable: | LiY(C)Y, 4 x 0.5 mm ² , length 5 m |
| Cable; fan: | LiYY, 2 x 0.14 mm ² , length 5 m |
| Fan: | 12 VDC , approx. 70 mA (Versions 2033.1000, .1200 and .1300 only) |

MEASURING CONVERTER

| | |
|------------------|---|
| Input: | Pt 100, meas. Range -35...+45 °C, adjustable |
| Output: | 4...20 mA or 0...10 V; supply 10...35 VDC load depending (500 Ω ...1.9 k Ω lin.) |
| Max. error: | \pm 0.25 % |
| Error by: | Supply voltage: < 50 ppm/V Ambient temp.: < 50 ppm/°C |
| EMV, Emission: | EN 50081-1 EN 50082-2 |
| Operating temp.: | -40...+60 °C |
| Connection: | 8-p. Connector IP 67 |

ORDERING CODE

| | |
|---|------------------|
| Air temperature sensor, in shelter, incl. 5 m connection cable | 2033.0000 |
| Air temperature sensor, in shelter, electrically aspirated 12 VDC, incl. 5 m connection cable | 2033.1000 |
| Air temperature sensor, in shelter, with measuring converter 4...20 mA, incl. 5 m connection cable | 2033.0200 |
| Air temperature sensor, in shelter, with measuring converter 4...20 mA, electrically aspirated 12 VDC, incl. 5 m connection cable | 2033.1200 |
| Air temperature sensor, in shelter, with measuring converter 0...10 V, incl. 5 m connection cable | 2033.0300 |
| Air temperature sensor, in shelter, with measuring converter 0...10 V, electrically aspirated 12 VDC, incl. 5 m connection cable | 2033.1300 |

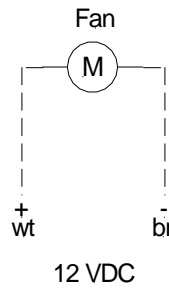
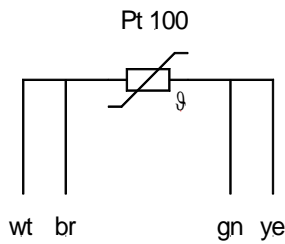
INSTALLATION

The Instrument can be screwed down on a crossarm type 9111 or similar.

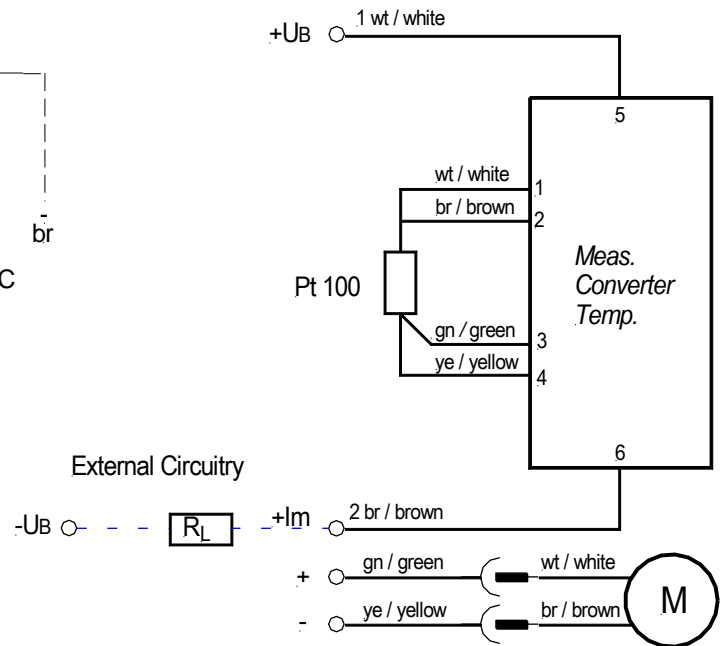
Technical data are subject to change!

CONNECTION PLAN

Versions 2033.0000 and .1000



Versions 2033.0200 and .1200; 4...20 mA
2033.0300 and .1300; 0...10 V



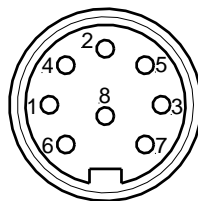
PIN CONFIGURATION

| Symbol | Pin | Color | Description |
|--------|-----|-------------|---------------------------|
| +UB | 1 | wt / white | Supply meas. converter |
| +Im | 2 | br / brown | (4...20 mA) or (0...10 V) |
| + | 3 | gn / green | Fan +12 V |
| - | 4 | ye / yellow | Fan -12 V |

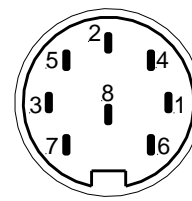
+UB = 10...35 V DC (admissible load to be considered!)

+Im measured against -UB

CABLE CONNECTOR



Front side, female socket



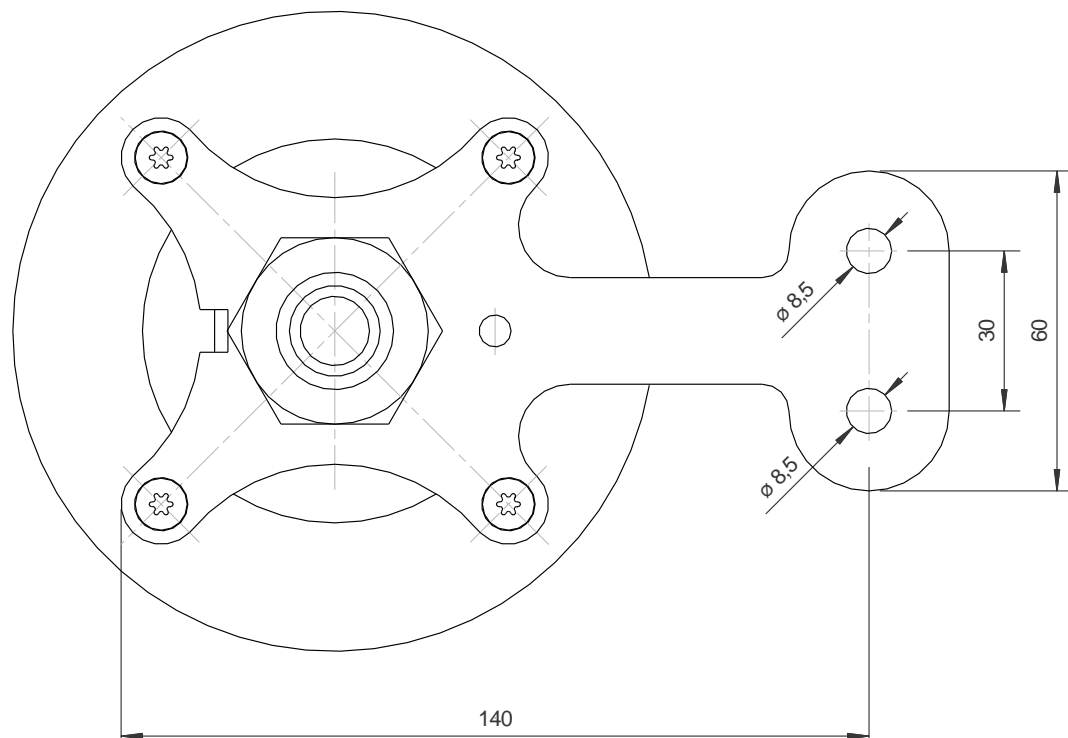
View on the solder termination side

Technical data are subject to change!



DIMENSIONS FOR INSTALLATION

VIEW FROM UNDERNEATH



Technical data are subject to change!